

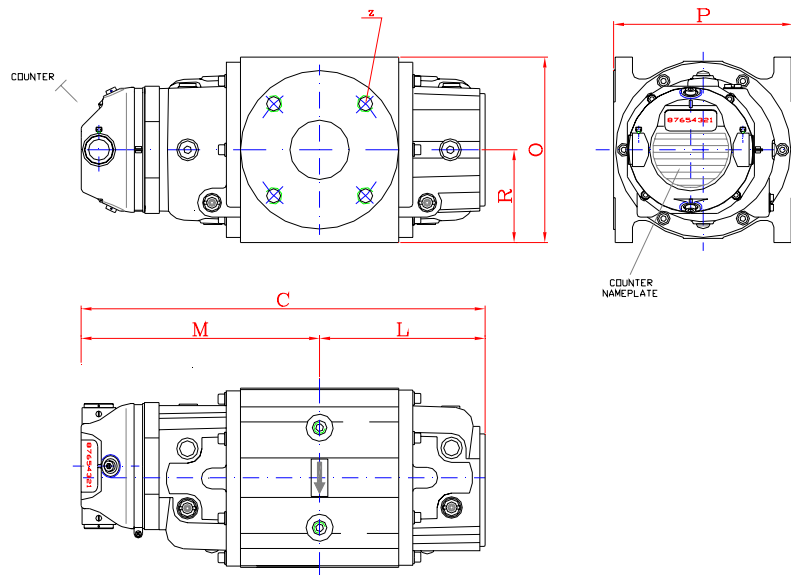
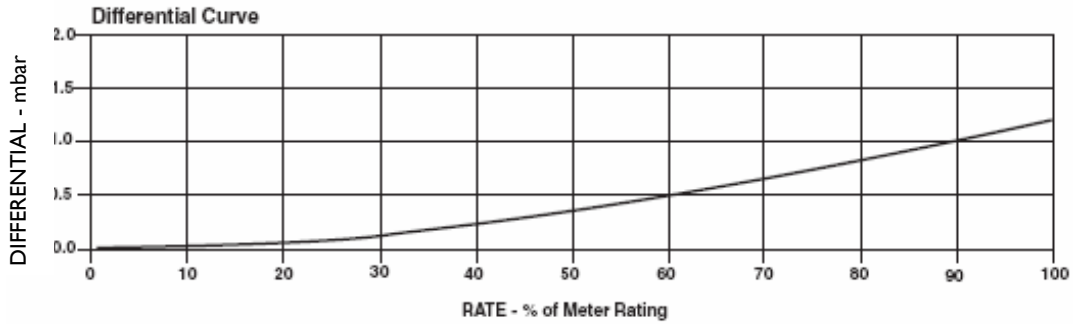
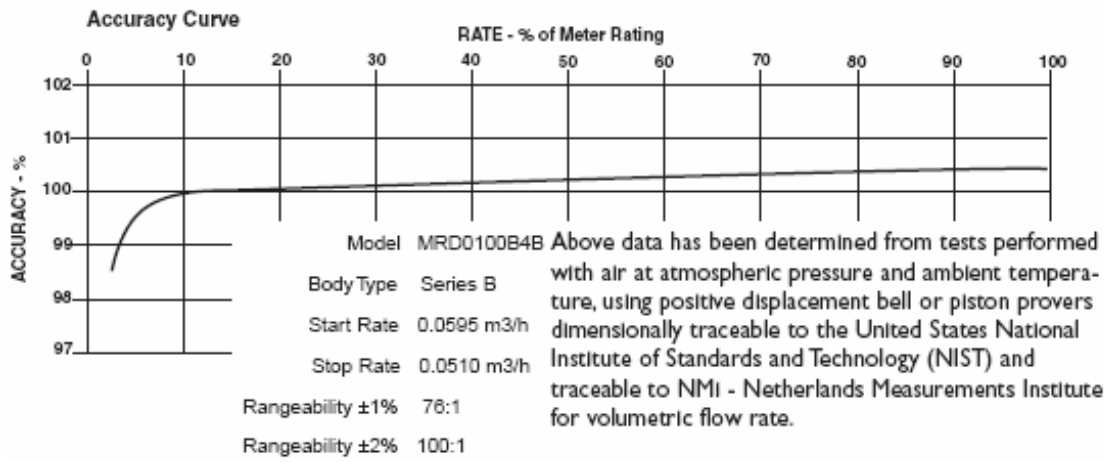


ROOTS METERS & INSTRUMENTS

DATA SHEET

G65 (3M) Secondary Meter

Temperature Range	deg.C	-40 to +60
Base Rating (Qmax)	m ³ /h	100
Max. Operating Pressure	bar	16
Leak Test (1.1 x MOP)	bar	17.6
Static Test (1.5 x MOP)	bar	24
Rangeability +/- 1%	ratio	76:1
Rangeability +/- 2%	ratio	100:1
Start Rate	m ³ /h	0.0595
Stop Rate	m ³ /h	0.0510
Flow Rate @ 1.25mbar	m ³ /h	81
Avg. Differential, 100% Flow	mbar	1.36
Max. Pressurisation Rate	kPa/sec	35
Max. Operating Speed	rpm	1667
Gear Ratio	ratio	141.12
Displaced Volume/Revolution	dm ³	0.71
Drive Rate	m ³ /rev	0.1
Min. Odometer Reading	m ³ /h	0.002
Odometer Turnover	yrs	1.14
Nominal Pipe Size	mm	50
Flange to Flange	mm	171
Flange Connection	DIN	DN50 PN16
Bolts per Flange	Qty	4
Bolt Size	mm	M16 x 40
Flange Bolt Hole Depth	mm	24
Bolt Torque: Lubricated/Non-Lub.	N-m	74/81
Oil Capacity (Side Inlet)	ml	47
Oil Capacity (Top Inlet)	ml	225



Meter Size	C mm	L mm	M mm	O mm	P mm	R mm	Z	Flange	Weight Kg
3MT	388	159	229	177	171	89	4	DN50	14