

60DJ, 80DJ & 150DJ

Gas Pressure Regulator

Inlet Pressure 100mbar

Nominal Diameter 1/4", 3/8" & 1/2"



Applications

- Domestic
- Pilot

Brief information

Operation: The Elster Jeavons APPLIANCE Regulators are compact and economical. They are suitable for a wide range of domestic appliance and pilot pressure control applications. They are available in a number of sizes up to 1/2"

Application: This range of regulators is suitable for domestic appliance and pilot applications with inlet pressures up to 100mbar (40"wg). They comply with the Essential Requirements of the European Gas Appliance Directive (90/396/EEC). All units are designed for natural, liquefied petroleum and manufactured gases and can be installed in vertical or horizontal pipelines.

Control: The outlet pressure can be easily and accurately adjusted by turning the spring adjustment unit located under the top cap. On the 60DJ and 80DJ the cover and top cap are drilled so that a sealing wire can be easily fitted if required.

Technical Data: Maximum inlet pressure: 100mbar (40"wg)
Maximum outlet Pressure: See table overleaf

Servicing: This range of regulators has been designed for ease of access, inspection and servicing of all internal components. A standard soft spares kit is available for all types.

1/4" 60DJ	reference number SK060D-06
3/8" 80DJ	reference number SK080D-08
1/2" 150DJ	reference number SK0150D-23

Main features

- Sizes 1/4", 3/8" & 1/2"
- Temperature range -20°C to +70°C
- Threaded connections to BS EN 10226 (ISO 7) or NPT (other threads may be available upon request)
- Compact
- Internal impulse
- Spring loaded
- Excellent outlet pressure control

60DJ and 80DJ: Appliance Regulators Regulating Capacities

All capacities in SCMH 0.64 s.g.

Setting Flow Rate: 0.6 SCMH

60DJ REGULATOR SIZE: 1/4"

OUTLET PRESSURE SETTING (mbar) / DROOP (%)

	10		17.5		20	
	10%	20%	10%	20%	10%	20%
Pin mbar						
7	0.90	1.15	-	-	-	-
12	0.98	1.26	1.09	1.58	-	-
15	1.01	1.34	1.26	1.89	-	-
20	1.04	1.41	1.40	2.11	1.43	2.31
25	1.08	1.44	1.44	2.15	1.54	2.49
35	1.10	1.49	1.51	2.38	2.08	3.14
53	1.14	1.56	1.56	2.40	2.10	3.19
70	1.16	1.61	1.64	2.68	2.14	3.26

80DJ REGULATOR SIZE: 3/8"

OUTLET PRESSURE SETTING (mbar) / DROOP (%)

Setting Flow Rate: 1.1 SCMH

	10		17.5	
	10%	20%	10%	20%
Pin mbar				
12	1.62	1.91	-	-
15	1.65	1.97	-	-
20	1.64	2.01	1.91	2.59
25	1.66	2.05	2.11	2.80
35	1.70	2.15	2.19	2.94
53	1.84	2.20	2.18	3.00
70	1.84	2.20	2.20	3.02

150DJ: Appliance Regulators

Regulating Capacities

All capacities in SCMH 0.64 s.g.

Setting Flow Rate: 1.25 SCMH

150DJ REGULATOR SIZE: 1/2"

OUTLET PRESSURE SETTING (mbar) / DROOP (%)

	5		10		15		17.5		20	
	10%	20%	10%	20%	10%	20%	10%	20%	10%	20%
Pin mbar										
7	1.9	2.5	-	-	-	-	-	-	-	-
12	2.1	3.0	2.6	3.9	-	-	-	-	-	-
15	2.2	3.0	2.9	4.4	-	-	-	-	-	-
20	2.4	3.3	3.0	4.5	3.4	5.2	2.8	4.4	-	-
25	2.4	3.4	3.3	5.1	3.6	6.0	3.1	5.0	3.4	5.1
35	2.5	3.4	3.5	5.5	3.7	6.4	3.7	6.0	3.7	6.4
53	2.3	3.4	3.5	5.6	3.9	6.7	4.1	6.2	3.9	6.8
70	2.1	3.5	3.7	5.6	4.2	7.2	4.4	7.0	4.0	7.1

The above tests are performed with the regulator set at a constant inlet pressure, a predetermined flow rate and the required outlet pressure. The flow rate is then increased whilst keeping the inlet pressure constant. The capacities are recorded when the outlet pressure has fallen by 10% and 20% from the set point.

The capacities on the previous pages are given in SCMH of natural gas (0.64 SG). For other gases multiply the capacity by:

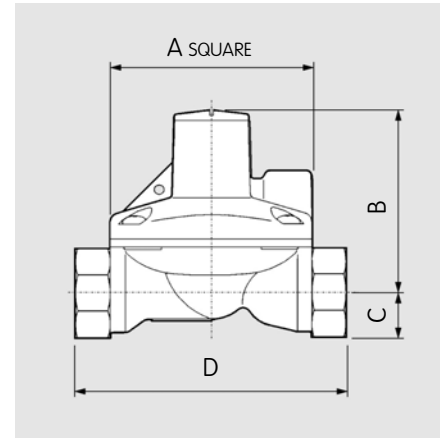
$$\sqrt{\frac{0.64}{\text{gas sg}}}$$

GAS	SG
Air	1.00
Towns Gas	0.50
Propane	1.53
Propane / Air	1.20

60DJ, 80DJ & 150DJ: Appliance Regulators

Dimensions and Weights

UNIT	A	B	C	D	Weight
60DJ	51	53	12	64	110g
80DJ	51	53	13	64	115g
150DJ	65	61	15	88	180g



Material Specifications

A summary of the material specification for the regulator is given for reference. All material has been selected to provide maximum durability and reliability in service.

Components	Specification
Body, cover and top cap.	Aluminium Alloy
Valve assembly & spring holder	Acetal Resin
Diaphragm	Nitrile Synthetic Rubber
Springs	Carbon steel, zinc plated & passivated, or phosphor bronze

Quality:

Elster Jeavons is committed to a programme of continuous quality enhancement. All equipment designed and manufactured by the Elster-Instromet group benefits from the group's quality assurance standards which are approved to EN ISO9001:2008.

Loading Springs

mbar	"wg	60DJ / 80DJ	150DJ
5 - 17.5	2 - 7	J6002D-026	J150D-024
15 - 35	6 - 14		J150D-027

Contacts

United Kingdom
 Elster Jeavons
 Tollgate Business Park, Beaconside
 Stafford, Staffordshire ST16 3HS
 T +44 1785 275200
 F +44 1785 275305
www.elster-instromet.com
info.jeavons@gb.elster.com

Germany
 Elster GmbH
 Steinern Str. 19 - 21
 55252 Mainz-Kastel
 T +49 6134 605 0
 F +49 6134 605 223
www.elster-instromet.com
info@elster-instromet.com

USA
 Elster American Meter
 2221 Industrial Road
 Nebraska City, NE 68410-6889
 T +1 402 873 8200
 F +1 402 873 7616
www.elster-meterservices.com

J1501EN03

A28.09.2009